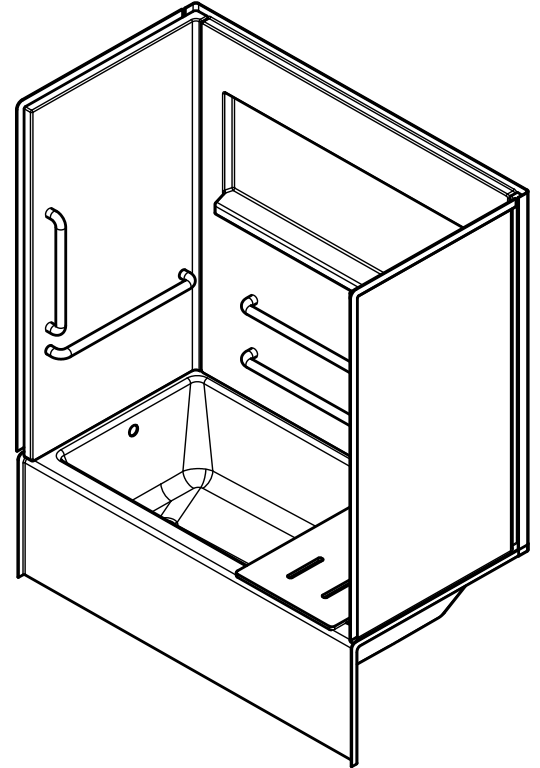


Project Name		Customer Name	
Quote Number		Date	
Customization			

Standard Features

Type	Four-piece tub-shower stall with above floor plumbing. Available in left or right hand configuration.
Color	White
Exterior Dimensions	60"W x 32"D x 74-3/4"H
Materials	Gel coat and fiberglass composite
Approximate Weight	140 lbs



Certifications and Accessibility Code Compliance



Universal Plumbing Code



CSA B45.5-11 / IAPMO Z124-2017



ADA

ANSI

ICC A117.1 - 2017 ANSI Type A



California Title 24



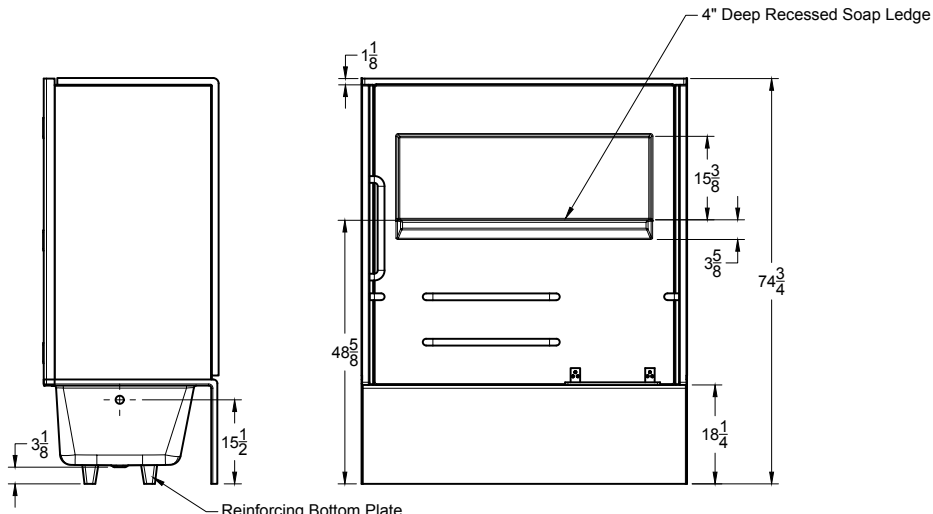
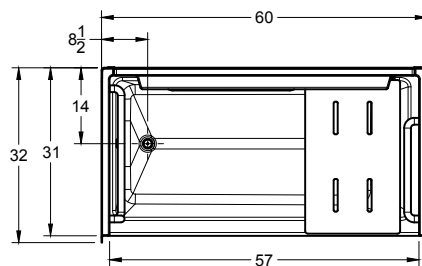
HUD / FHA

Warranty

30 Year Limited

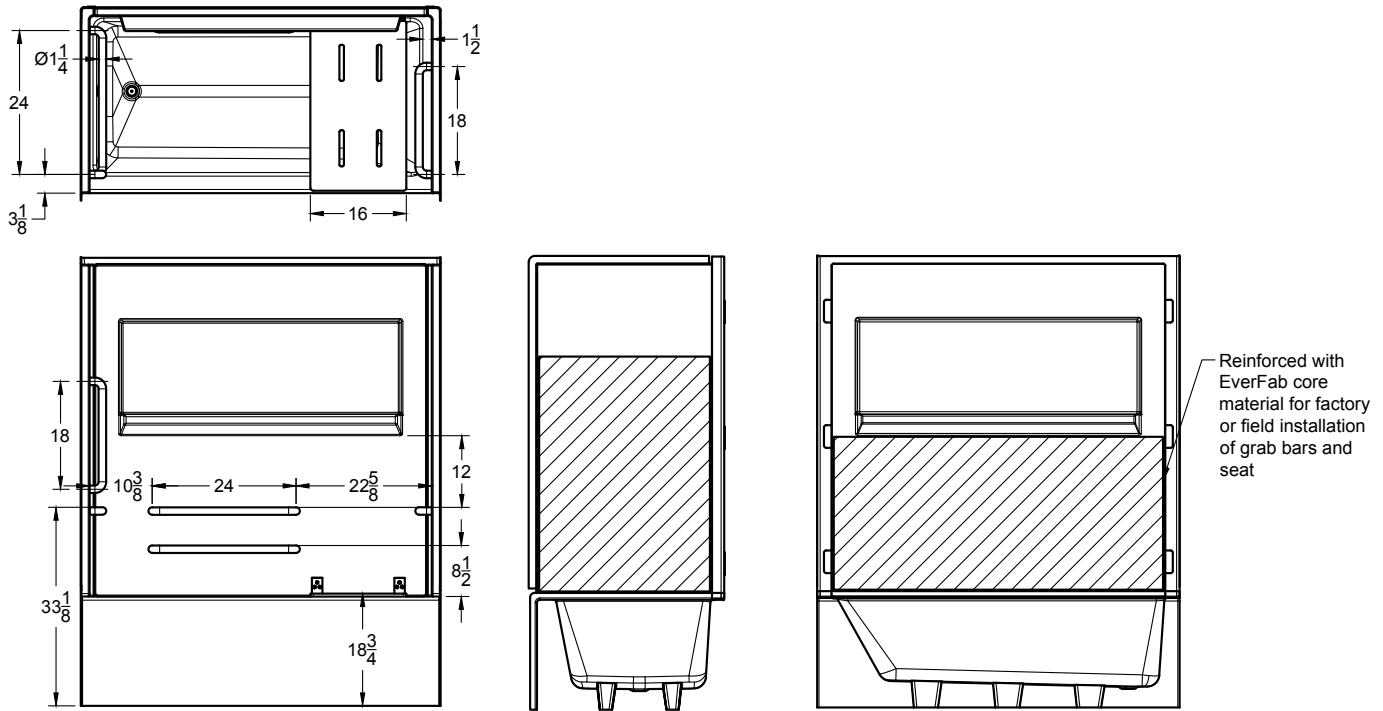
Reinforcement

Fully reinforced with EverFab's unique composite core material which allows for factory or field installation of ADA compliant grab bars and seat

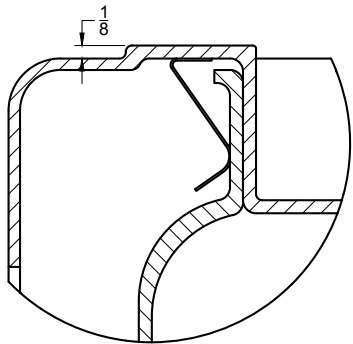


Due to the nature of the material, all measurements may vary by $\pm 3/8"$.
Dimensions needed for site preparation should be measured from the unit.

Accessibility Information



Detailed Views



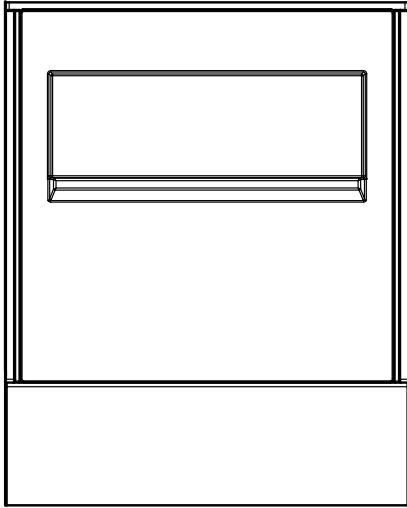
Wall Joint

Architectural Specifications

A. Shower Stall:

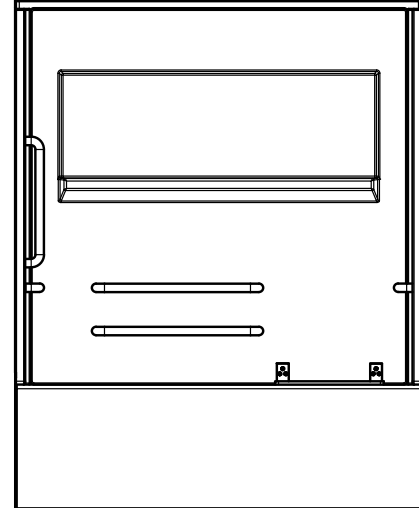
1. Model: No. TSS6032MA-L/R
2. Description: Four-piece tub-shower stall with reinforcing bottom plate, slip-resistant floor, and inorganic composite reinforcement
3. Exterior dimensions: 60 inches wide x 32 inches deep x 74 - 3/4 inches high
4. Rough-in: +1/8" -0" nominal dimensions
5. Optional Accessories: Furnish with [curtain rod], [shower curtain], [composite corner shelf], [shower slide-bar kit], [EverFab tub-wrap], [shower drain]. If applicable, please indicate location of additional accessories on drawing
6. Accessory Style: [A0 - No Accessories], [Standard Thru-Bolted], [Flanged], [Elite Series] [Anti-Ligature], [Custom]
7. Accessory Finish: [A0 - No Accessories], [Standard Satin Stainless], [Matte Black], [Polished Stainless] [White], [Custom]

ADA Configurations



TSS6032MA0-L

No Accessories



TSS6032MA1-L

[4] 18-24" horizontal grab bars

Seat

18" vertical grab bar

Drain Placement (indicated by '-L' or '-R' following model number)*

Left Hand

Right Hand

*Drain placement is determined as if outside the unit looking in. For clarity, a right hand model is shown in all drawings.

Optional Accessories†

- Field Installed Curtain Rod
- Shower Curtain
- Composite Corner Shelf
- Shower Slide-Bar Kit
- EverFab Tub-Wrap
- Shower Drain

Accessory Finish

- Satin Stainless (Standard)
- Matte Black
- Polished Stainless
- White
- Custom, please specify:

†If applicable, please select accessory style and finish from options above. If custom, please also indicate desired location(s) on drawing.