

Project Name		Customer Name	
Quote Number		Date	
Customization			

Standard Features

Type	Four-piece shower stall available in left or right hand configuration.
Color	White
Exterior Dimensions	60"W x 32"D x 74-7/8"H
Materials	Gel coat and fiberglass composite
Approximate Weight	150 lbs

Certifications and Accessibility Code Compliance

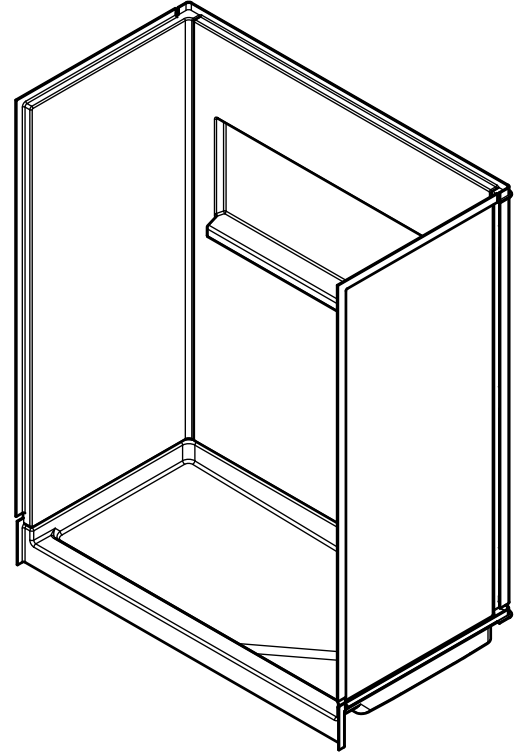


ANSI

Universal
Plumbing
Code

CSA B45.5-11 / IAPMO
Z124-2017

ICC A117.1 - 2017
ANSI Type B

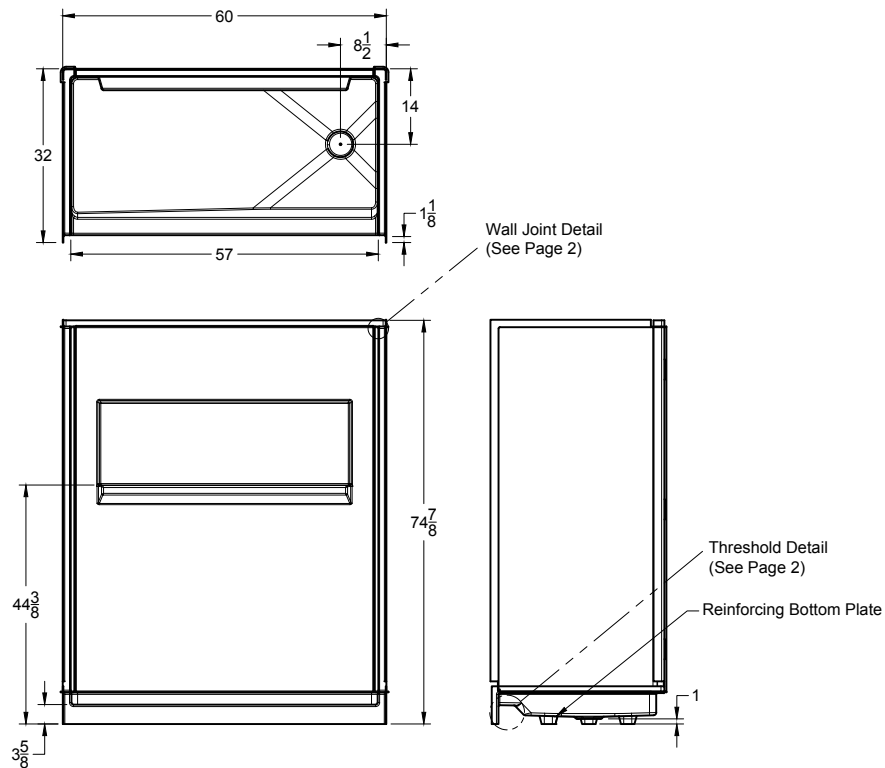


Warranty

30 Year Limited

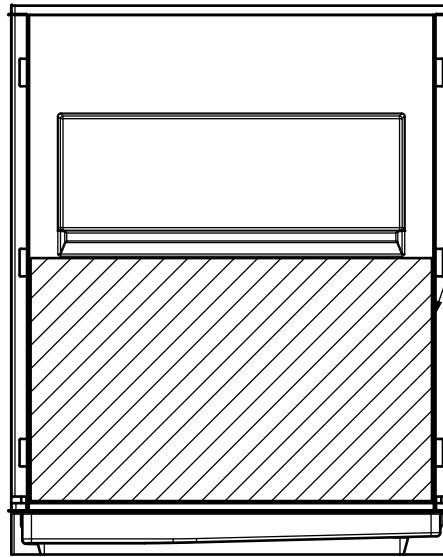
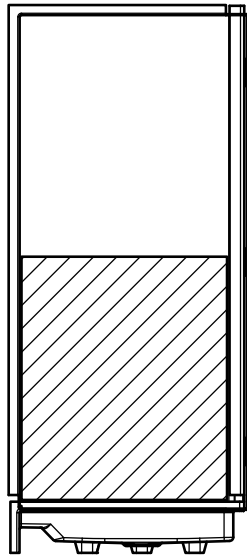
Reinforcement

Fully reinforced with EverFab's unique composite core material which allows for factory or field installation of ANSI B compliant grab bars and seat



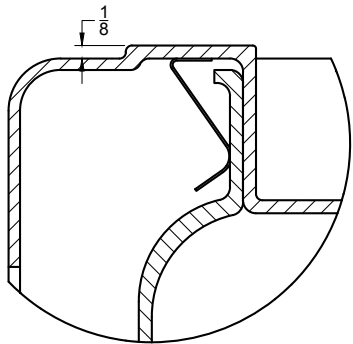
Due to the nature of the material, all measurements may vary by $\pm 3/8$ ".
Dimensions needed for site preparation should be measured from the unit.

Reinforcement Location

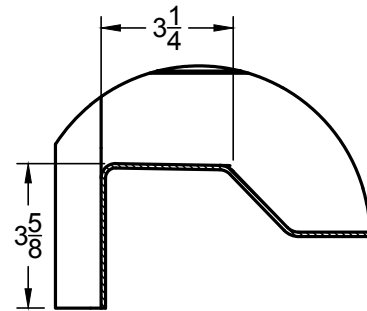


Reinforced with EverFab core material for factory or field installation of grab bars and seat

Detailed Views



Wall Joint



Threshold

Architectural Specifications

A. Shower Stall:

1. Model: No. SS6032MB-L/R
2. Description: Four-piece shower stall with reinforcing bottom plate, and inorganic composite reinforcement
3. Exterior dimensions: 60 inches wide x 32 inches deep x 74 - 7/8 inches high
4. Rough-in: +1/8" -0" nominal dimensions
5. Optional Accessories: Furnish with [curtain rod], [shower curtain], [composite corner shelf], [shower slide-bar kit], [EverFab tub-wrap], [shower drain]. If applicable, please indicate location of additional accessories on drawing
6. Accessory Style: [A0 - No Accessories], [Standard Thru-Bolted], [Flanged], [Elite Series] [Anti-Ligature], [Custom]
7. Accessory Finish: [A0 - No Accessories], [Standard Satin Stainless], [MBtte Black], [Polished Stainless] [White], [Custom]

Drain Placement (indicated by '-L' or '-R' following model number)*

- Left Hand Right Hand

**Drain placement is determined as if outside the unit looking in. For clarity, a right hand model is shown in all drawings.*

Optional Accessories†

- Field Installed Curtain Rod Grab Bar(s)
 Shower Curtain Seat
 Composite Corner Shelf
 Shower Slide-Bar Kit
 EverFab Tub-Wrap
 Shower Drain

Accessory Finish

- Satin Stainless (Standard)
 MBtte Black
 Polished Stainless
 White
 Custom, please specify:

†If applicable, please select accessory style and finish from options above. If custom, please also indicate desired location(s) on drawing.