

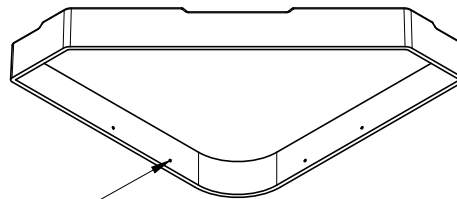
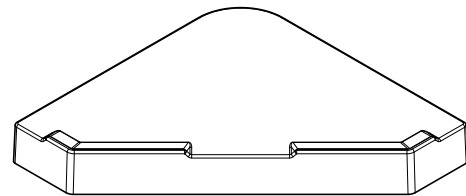
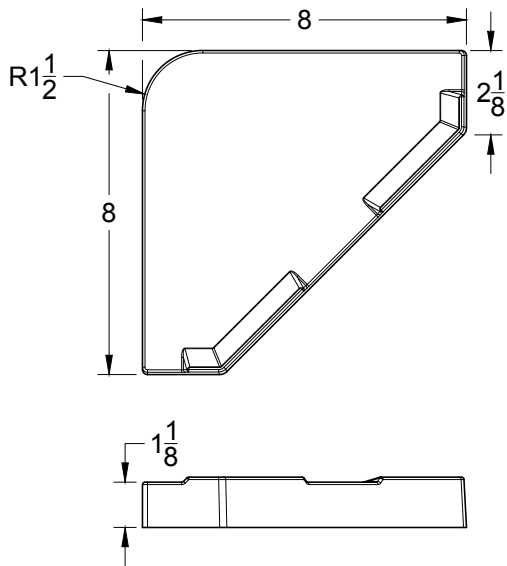
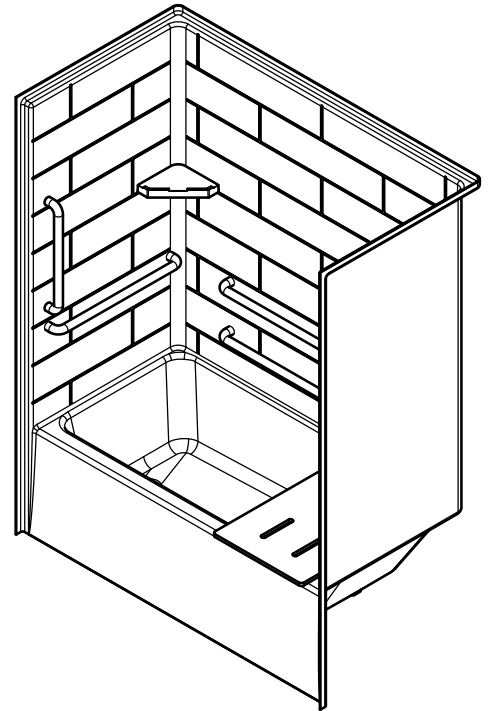
Project Name		Customer Name	
Quote Number		Date	
Customization			

### Standard Features

<b>Description</b>	Composite corner shelf
<b>Finish</b>	White
<b>Materials</b>	Fiberglass and gel coat composite
<b>Approximate Weight</b>	3 lbs

### Details

Composite corner shelf made of same materials as the shower. Secured using 4 screws. Can be installed in any EverFab shower.



4 screws  
installed on  
underside of  
shelf

**Model Number**

EF-0000-CS