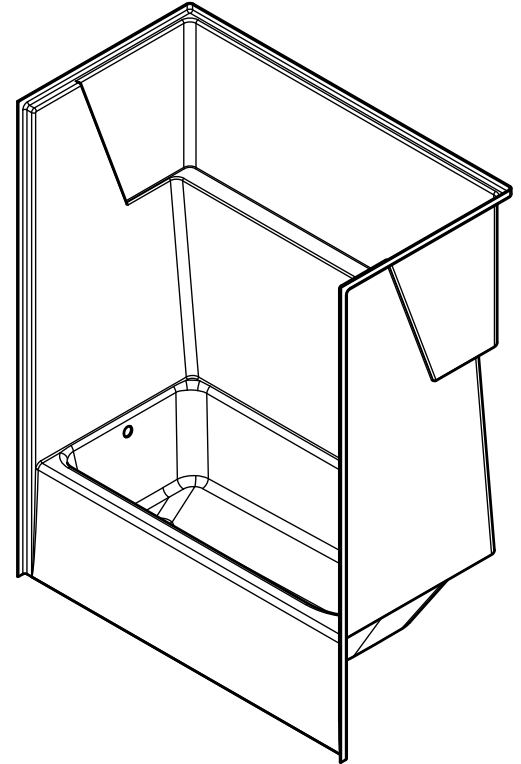


Project Name		Customer Name	
Quote Number		Date	
Customization			

Standard Features

Type	One-piece tub-shower stall with shelf and above floor plumbing. Available in left or right hand configuration.
Color	White
Exterior Dimensions	60"W x 32"D x 76-1/4"H
Materials	Gel coat and fiberglass composite
Approximate Weight	130 lbs



Certifications and Accessibility Code Compliance



Universal Plumbing Code



CSA B45.5-11 / IAPMO Z124-2017



ADA



HUD / FHA



California Title 24



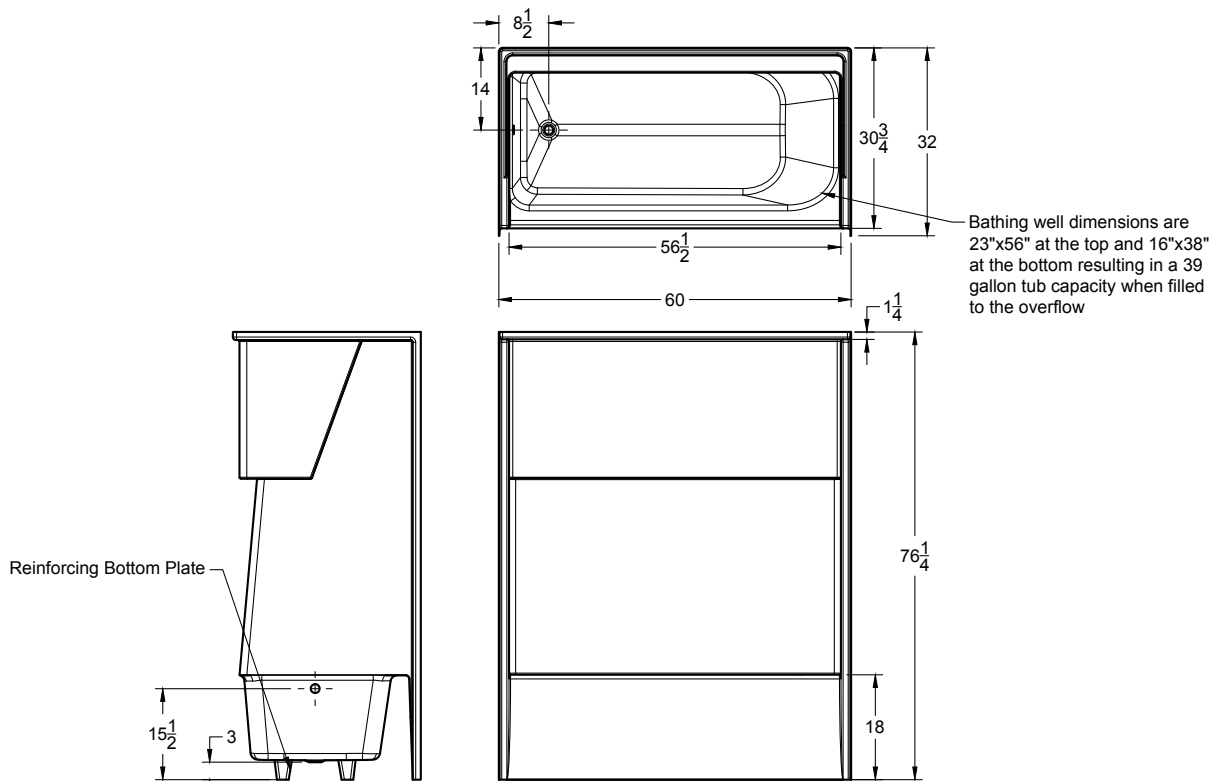
ICC A117.1 - 2017 ANSI Type A

Warranty

30 Year Limited

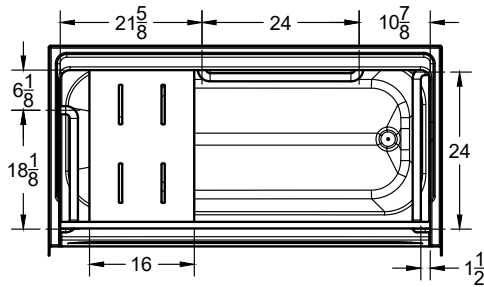
Reinforcement

Fully reinforced with EverFab's unique composite core material which allows for factory or field installation of ADA compliant grab bars and seat

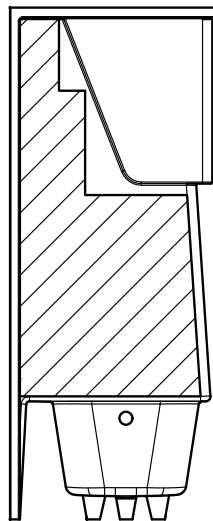
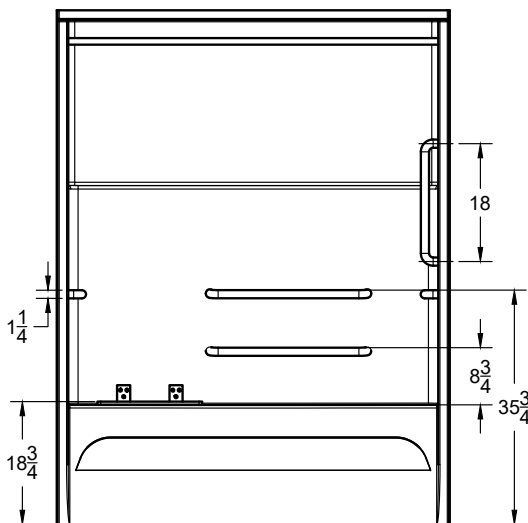
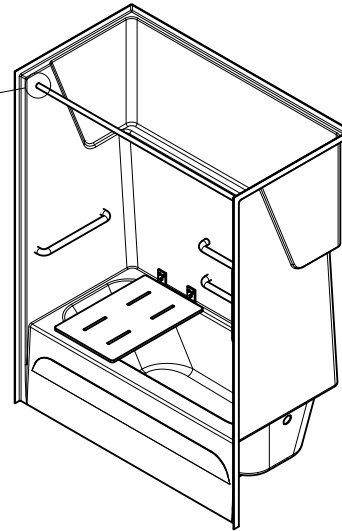


Due to the nature of the material, all measurements may vary by ± 3/8".
 Dimensions needed for site preparation should be measured from the unit.

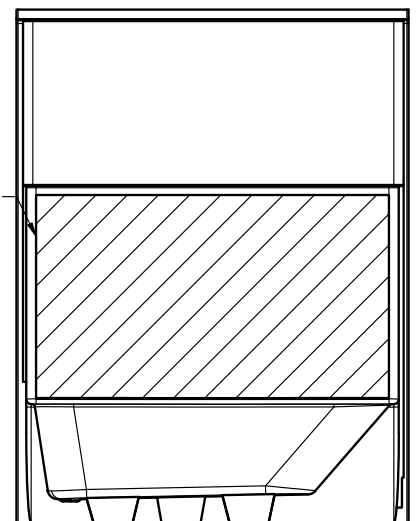
ADA Accessory Dimensions



Curtain Rod Detail
 (See Submittal
 Page 3)



Reinforced with
 EverFab core
 material for
 factory or field
 installation of
 grab bars and
 seat

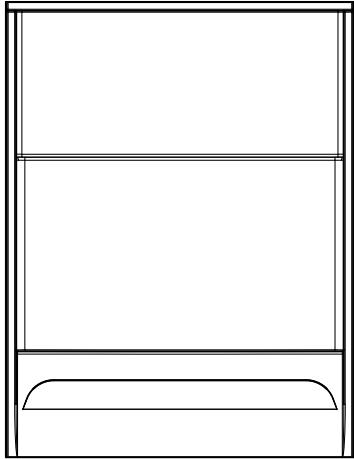


Architectural Specifications

A. Shower Stall:

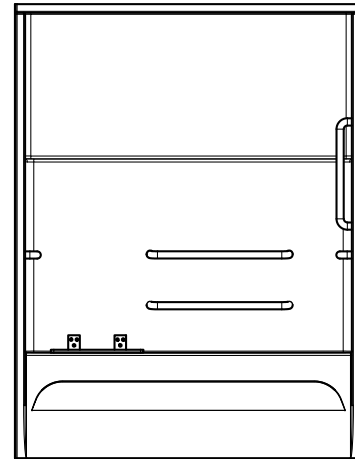
1. Model: No. TSS603276A-L/R
2. Description: One-piece tub-shower stall with reinforcing bottom plate, slip-resistant floor, soap ledge, and inorganic composite reinforcement for placement of grab bars and seat
3. Exterior dimensions: 60 inches wide x 32 inches deep x 76-1/4 inches high
4. Rough-in: +1/8" -0" nominal dimensions
5. Accessibility Accessories: [A0] [A1] [Custom] accessory configuration
6. Optional Accessories: Furnish with [curtain rod], [shower curtain], [recessed soap dish], [composite corner shelf], [shower slide-bar kit], [EverFab tub-wrap], [shower drain], [18" grab bar], [24" grab bar], [custom grab bar], [folding seat]. If applicable, please indicate location of additional accessories on drawing
7. Accessory Style: [A0 - No Accessories], [Standard Thru-Bolted], [Flanged], [Elite Series], [Anti-Ligature], [Custom]
8. Accessory Finish: [A0 - No Accessories], [Standard Satin Stainless], [Matte Black], [Polished Stainless] [White], [Custom]

ADA Accessory Configurations (number following 'A' indicates configuration)



TSS603276A0-R

No Accessories



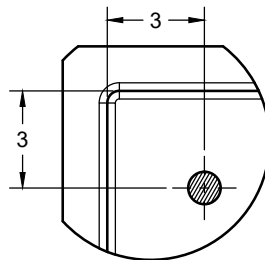
TSS603276A1-R

[4] 18-24" horizontal grab bars

Seat

18" vertical grab bar

Additional Details



Standard Curtain Rod Location

Standard Threshold Models

Model Number	(4) Pre-Installed 18-24" Horizontal Grab Bars	Pre-Installed 18" Vertical Grab Bar	Pre-Installed Folding Seat	Accessibility Code Compliance
<input type="checkbox"/> TSS603276A0	No	No	No	Adaptable**
<input type="checkbox"/> TSS603276A1	Yes	Yes	Yes	ADA, HUD/FHA, ANSI, CA Title 24

**Model is reinforced and capable of meeting accessibility code requirements with proper field-installation of grab bars and seat

Drain Placement (indicated by '-L' or '-R' following model number)*

- Left Hand Right Hand

*Drain placement is determined as if outside the unit looking in.

Optional Accessories†

- | | |
|---|---|
| <input type="checkbox"/> Curtain Rod | <input type="checkbox"/> Shower Drain |
| <input type="checkbox"/> Shower Curtain | <input type="checkbox"/> 18" grab bar |
| <input type="checkbox"/> Recessed Soap Dish | <input type="checkbox"/> 24" grab bar |
| <input type="checkbox"/> Composite Corner Shelf | <input type="checkbox"/> Custom grab bar, please specify: |
| <input type="checkbox"/> Shower Slide-Bar Kit | <input type="checkbox"/> Folding seat |
| <input type="checkbox"/> EverFab Tub-Wrap | |

Accessory Style

- Thu-bolted (Standard)
 Flanged
 Elite Series
 Anti-ligature
 Custom, please specify:

Accessory Finish

- Satin Stainless (Standard)
 Matte Black
 Polished Stainless
 White
 Custom, please specify:

†If applicable, please select accessory style and finish from options above. If custom, please also indicate desired location(s) on drawing.