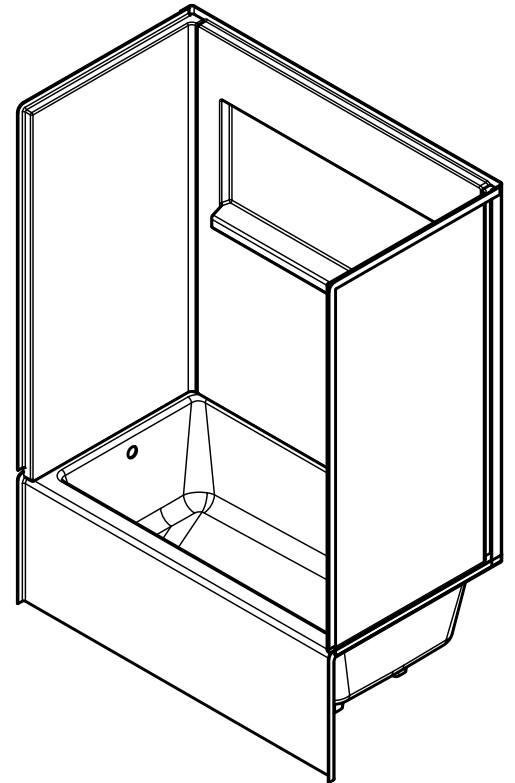


| | | | |
|---------------|--|---------------|--|
| Project Name | | Customer Name | |
| Quote Number | | Date | |
| Customization | | | |

Standard Features

| | |
|----------------------------|---|
| Type | Four-piece tub-shower stall with above floor plumbing. Available in left or right hand configuration. |
| Color | White |
| Exterior Dimensions | 54"W x 30-1/4"D x 74-3/4"H |
| Materials | Gel coat and fiberglass composite |
| Approximate Weight | 120 lbs |



Certifications and Accessibility Code Compliance



Universal Plumbing Code



CSA B45.5-11 / IAPMO Z124-2017



ADA

ANSI

ICC A117.1 - 2017 ANSI Type A



California Title 24



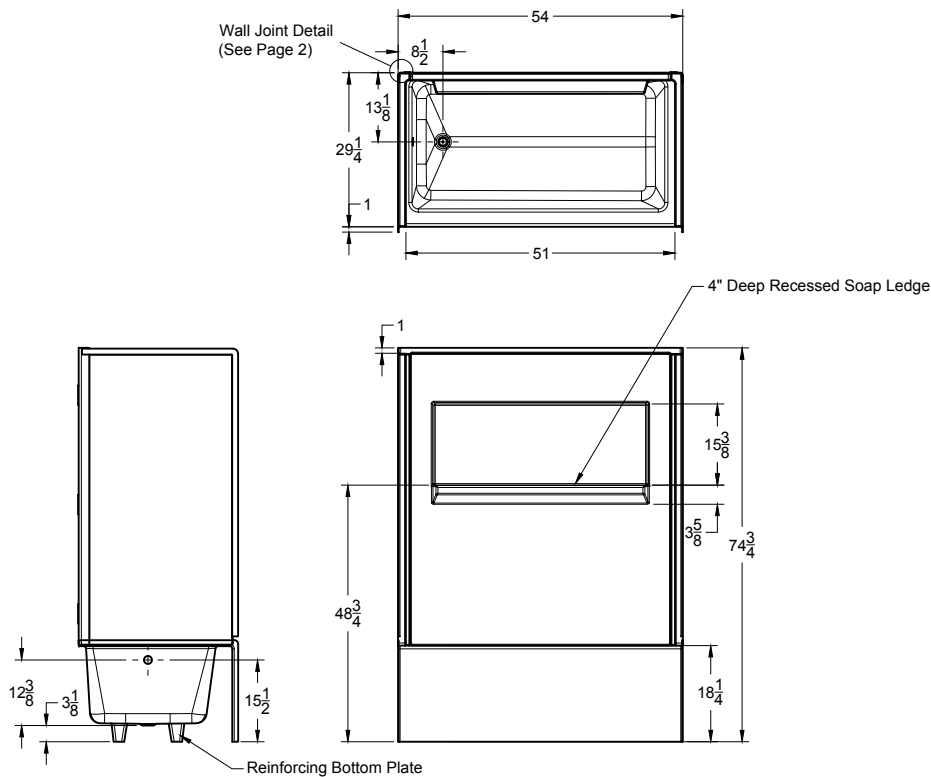
HUD / FHA

Warranty

30 Year Limited

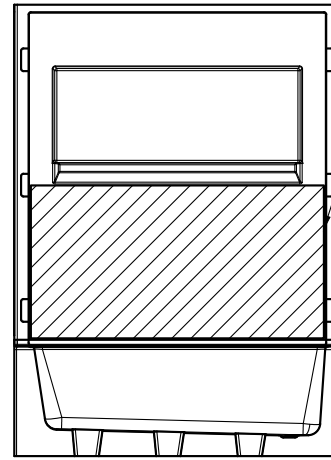
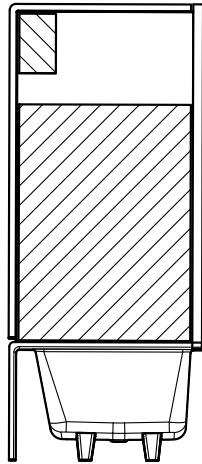
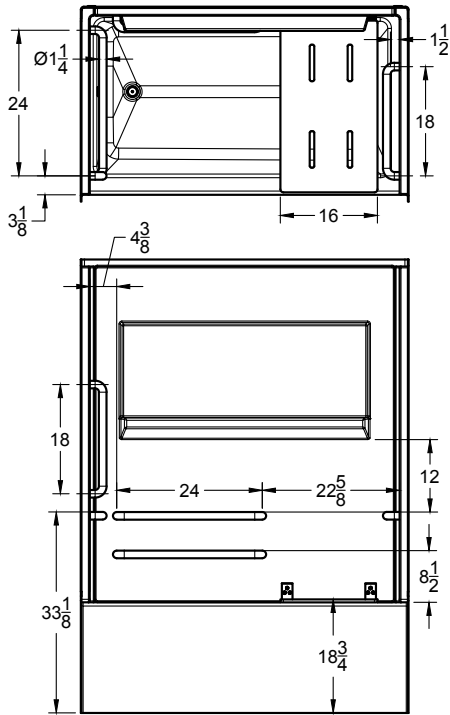
Reinforcement

Fully reinforced with EverFab's unique composite core material which allows for factory or field installation of ADA compliant grab bars and seat



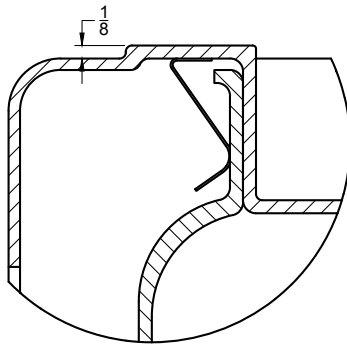
Due to the nature of the material, all measurements may vary by $\pm 3/8"$. Dimensions needed for site preparation should be measured from the unit.

Accessibility Information



Reinforced with EverFab core material for factory or field installation of grab bars and seat

Detailed Views



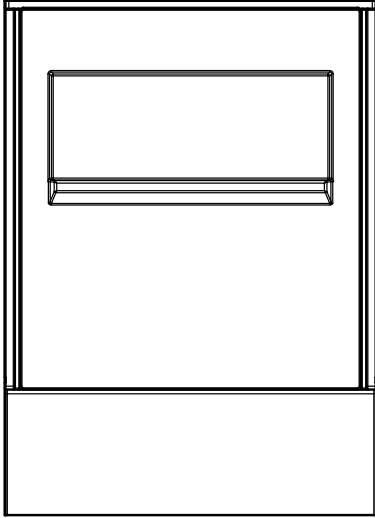
Wall Joint

Architectural Specifications

A. Shower Stall:

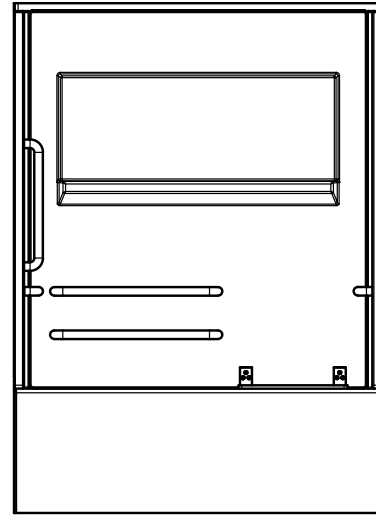
1. Model: No. TSS5429MA-L/R
2. Description: Four-piece tub-shower stall with reinforcing bottom plate, slip-resistant floor, and inorganic composite reinforcement
3. Exterior dimensions: 54 inches wide x 30 - 1/4 inches deep x 74 - 3/4 inches high
4. Rough-in: +1/8" -0" nominal dimensions
5. Optional Accessories: Furnish with [curtain rod], [shower curtain], [composite corner shelf], [shower slide-bar kit], [EverFab tub-wrap], [shower drain]. If applicable, please indicate location of additional accessories on drawing
6. Accessory Style: [A0 - No Accessories], [Standard Thru-Bolted], [Flanged], [Elite Series] [Anti-Ligature], [Custom]
7. Accessory Finish: [A0 - No Accessories], [Standard Satin Stainless], [Matte Black], [Polished Stainless] [White], [Custom]

ADA Configurations



TSS5429MA0-L

No Accessories



TSS5429MA1-L

[4] 18-24" horizontal grab bars

Seat

18" vertical grab bar

| Model Number | (4) Pre-Installed 18-24" Horizontal Grab Bars | Pre-Installed 18" Vertical Grab Bar | Pre-Installed Folding Seat | Accessibility Code Compliance |
|-------------------------------------|---|-------------------------------------|----------------------------|---------------------------------|
| <input type="checkbox"/> TSS5429MA0 | No | No | No | Adaptable** |
| <input type="checkbox"/> TSS5429MA1 | Yes | Yes | Yes | ADA, HUD/FHA, ANSI, CA Title 24 |

Drain Placement (indicated by '-L' or '-R' following model number)*

Left Hand

Right Hand

*Drain placement is determined as if outside the unit looking in. For clarity, a left hand model is shown in all drawings.

Optional Accessories†

Field Installed Curtain Rod

Custom, please specify:

Shower Curtain

Composite Corner Shelf

Shower Slide-Bar Kit

EverFab Tub-Wrap

Shower Drain

Accessory Finish

Satin Stainless (Standard)

Matte Black

Polished Stainless

White

Custom, please specify:

†If applicable, please select accessory style and finish from options above. If custom, please also indicate desired location(s) on drawing.