

Project Name		Customer Name	
Quote Number		Date	
Customization			

Standard Features

Type	One-piece curbed shower with molded shelves
Color	White
Exterior Dimensions	46-1/2"W x 32-1/4"D x 78-1/2"H
Materials	Gel coat and fiberglass composite
Approximate Weight	125 lbs

Certifications and Accessibility Code Compliance



Universal Plumbing Code

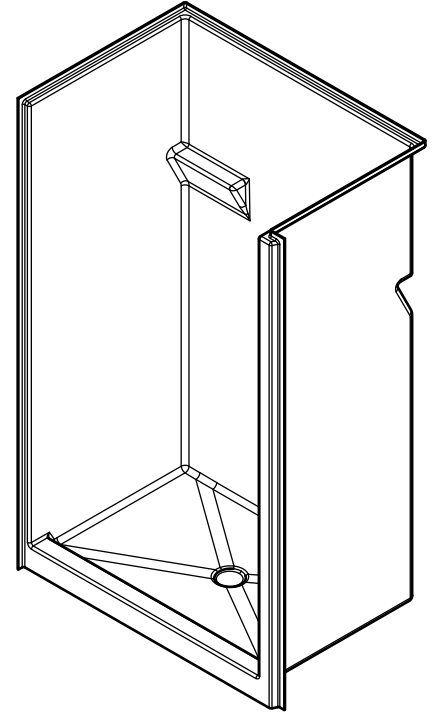


CSA B45.5-11 / IAPMO Z124-2017



ANSI

ICC ANSI A117.1 2017 Section 1104

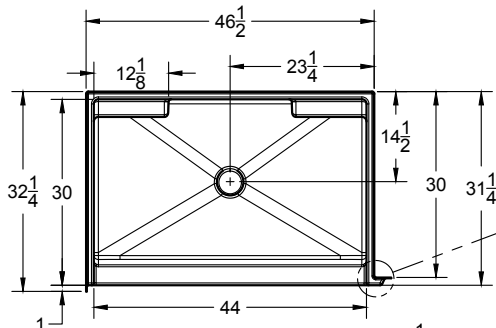


Warranty

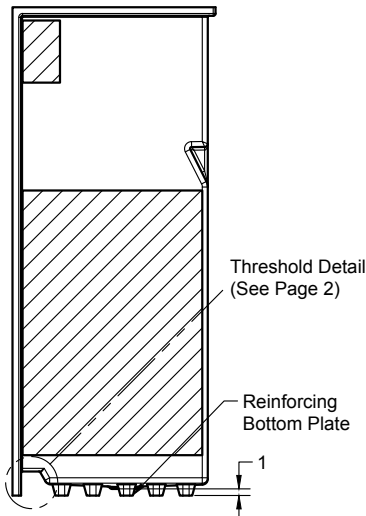
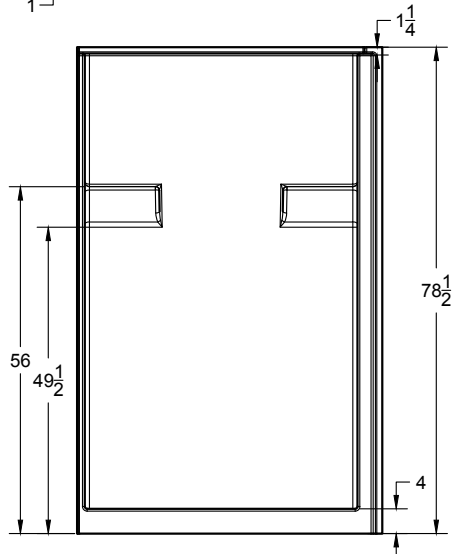
30 Year Limited

Reinforcement

Reinforced with EverFab's unique composite core material according to ICC ANSI A117.1 2017 Section 1104 requirements

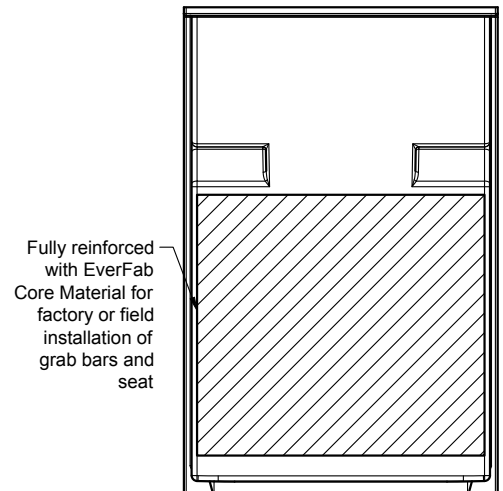


Return Flange Detail (See Page 2)



Threshold Detail (See Page 2)

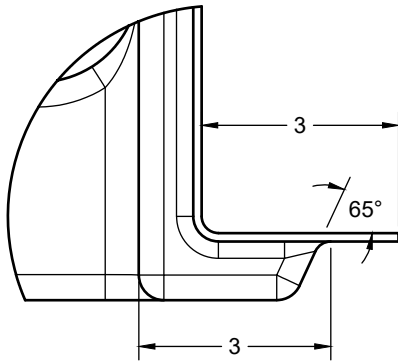
Reinforcing Bottom Plate



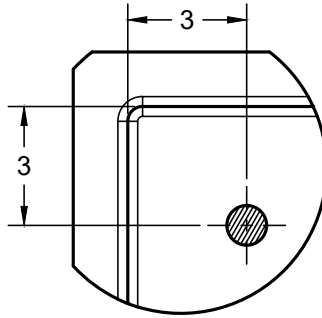
Fully reinforced with EverFab Core Material for factory or field installation of grab bars and seat

Due to the nature of the material, all measurements may vary by $\pm 3/8"$. Dimensions needed for site preparation should be measured from the unit.

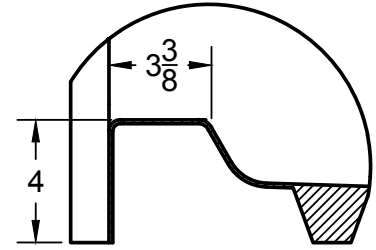
Additional Details



Return Flange



Standard Curtain Rod Location



Threshold

Architectural Specifications

A. Shower Stall:

1. Model: No. SS4631RFB-L/R
2. Description: One-piece shower stall with reinforcing bottom plate, slip-resistant floor, molded soap ledges, return flange, and inorganic composite reinforcement capable of meeting ANSI A117.1 Section 1104 accessibility requirements
3. Exterior dimensions: 46-1/2 inches wide x 32-1/4 inches deep x 78-1/2 inches high
4. Rough-in: +1/8" -0" nominal dimensions
5. Optional Accessories: Furnish with [curtain rod], [shower curtain], [recessed soap dish], [composite corner shelf], [shower slide-bar kit], [EverFab tub-wrap], [shower drain], [18" grab bar], [24" grab bar], [folding seat]. If applicable, please indicate location of additional accessories on drawing
6. Accessory Style: [A0 - No Accessories], [Standard Thru-Bolted], [Flanged], [Elite Series], [Anti-Ligature], [Custom]
7. Accessory Finish: [A0 - No Accessories], [Standard Satin Stainless], [Matte Black], [Polished Stainless] [White], [Custom]

Optional Accessories†

<input type="checkbox"/> Curtain Rod	<input type="checkbox"/> Shower Drain
<input type="checkbox"/> Shower Curtain	<input type="checkbox"/> 18" grab bar
<input type="checkbox"/> Recessed Soap Dish	<input type="checkbox"/> 24" grab bar
<input type="checkbox"/> Composite Corner Shelf	<input type="checkbox"/> Folding seat
<input type="checkbox"/> Shower Slide-Bar Kit	<input type="checkbox"/> Custom, please specify:
<input type="checkbox"/> EverFab Tub-Wrap	

Accessory Style

- Thu-bolted (Standard)
- Flanged
- Elite Series
- Anti-ligature
- Custom, please specify:

Accessory Finish

- Satin Stainless (Standard)
- Matte Black
- Polished Stainless
- White
- Custom, please specify:

†If applicable, please select accessory style and finish from options above. If custom, please also indicate desired location(s) on drawing.