

Project Name		Customer Name	
Quote Number		Date	
Customization			

Standard Features

Type	One-piece roll-in type shower pan with removable stainless steel grate
Color	White
Exterior Dimensions	63"W x 34"D x 5"H
Materials	Gel coat and fiberglass composite
Approximate Weight	50 lbs

Certifications and Accessibility Code Compliance



Universal Plumbing Code



CSA B45.5-11 / IAPMO Z124-2017



ADA

ANSI

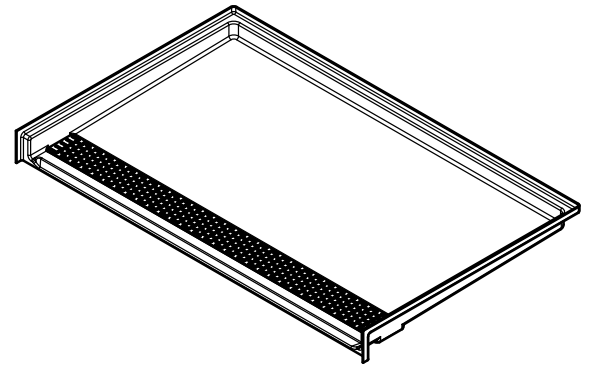
ICC A117.1 - 2017 ANSI Type A



California Title 24

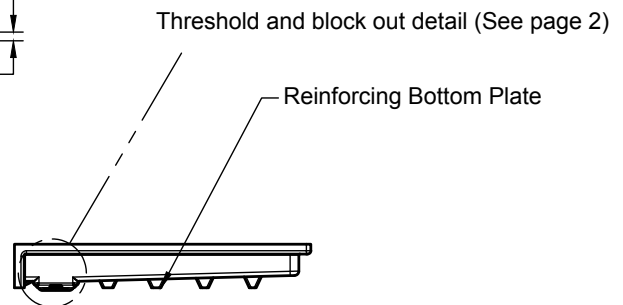
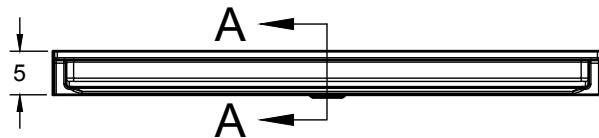
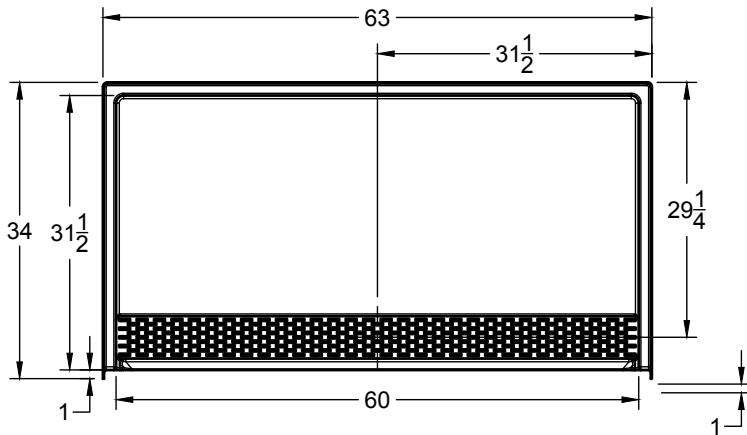
Washington Administrative Code

WAC 388-78A-3030

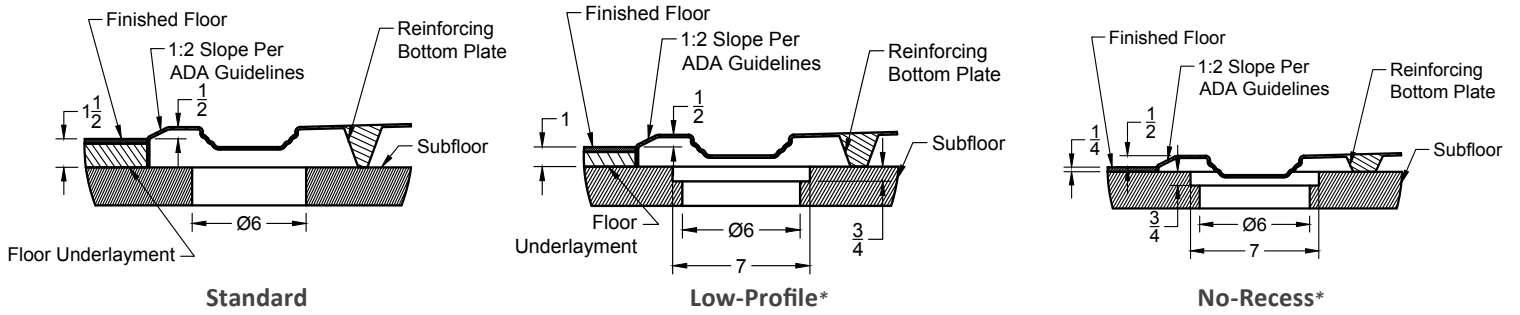


Warranty

30 Year Limited



Standard Threshold Details (Section A-A)



Model number followed with 'LP'

Model number followed with 'NR'

***For Low-Profile and No-Recess models, a 7" x 18" x 3/4" blockout centered with the drain is required**

Architectural Specifications

A. Shower Stall:

1. Model: No. SPT6333A
2. Description: One-piece roll-in type shower pan with front trench drain
3. Exterior dimensions: 63 inches wide x 34 inches deep x 5 inches high
4. Rough-in: +1/8" -0" nominal dimensions
5. Threshold: [Standard] [Low Profile] [No-Recess], [Custom] Threshold Detail
6. Optional Accessories: Furnish with [EverFab tub-wrap], [shower drain], [18" field-installed grab bar], [24" field-installed grab bar], [folding seat], [T-shaped EverDam]. If applicable, please indicate location of additional accessories on drawing
7. Accessory Style: [Flanged]
8. Accessory Finish: [Standard Satin Stainless], [Matte Black], [Polished Stainless] [White], [Custom]

Standard Threshold

Model Number	Drain Block Out Required	Accessibility Code Compliance
<input type="checkbox"/> SPT6333A0	No	Adaptable**

Low Profile Threshold

Model Number	7"x18"x3/4" Drain Block Out Required	Accessibility Code Compliance
<input type="checkbox"/> SPT6333A0LP	Yes	Adaptable**

No-Recess Threshold

Model Number	7"x18"x3/4" Drain Block Out Required	Accessibility Code Compliance
<input type="checkbox"/> SPT6333A0NR	Yes	Adaptable**

***Shower pan meets accessibility code size and threshold requirements*

Optional Accessories†

<input type="checkbox"/> Shower Drain		
<input type="checkbox"/> 18" field installed grab bar		
<input type="checkbox"/> 24" field installed grab bar		
<input type="checkbox"/> T-shaped EverDam		
<input type="checkbox"/> EverFab Tub-Wrap		

Accessory Style

<input type="checkbox"/> Flanged	<input type="checkbox"/> Satin Stainless (Standard)
<input type="checkbox"/> Elite Series	<input type="checkbox"/> Matte Black
<input type="checkbox"/> Anti-ligature	<input type="checkbox"/> Polished Stainless
<input type="checkbox"/> Custom, please specify:	<input type="checkbox"/> White
	<input type="checkbox"/> Custom, please specify:

†If applicable, please select accessory style and finish from options above. If custom, please also indicate desired location(s) on drawing.