

Project Name		Customer Name	
Quote Number		Date	
Customization			

## Standard Features

<b>Type</b>	Single-piece shower base available in left or right hand configuration.
<b>Color</b>	White
<b>Exterior Dimensions</b>	60"W x 32"D x 7"H
<b>Materials</b>	Gel coat and fiberglass composite
<b>Approximate Weight</b>	40 lbs

## Certifications and Accessibility Code Compliance

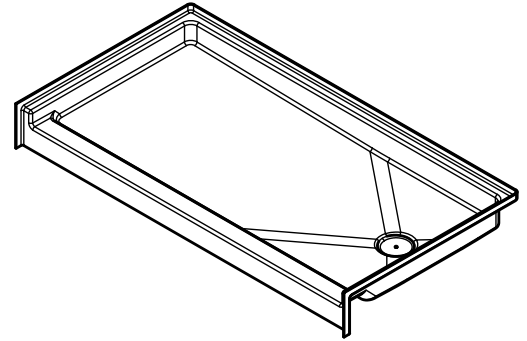


**ANSI**

Universal  
 Plumbing  
 Code

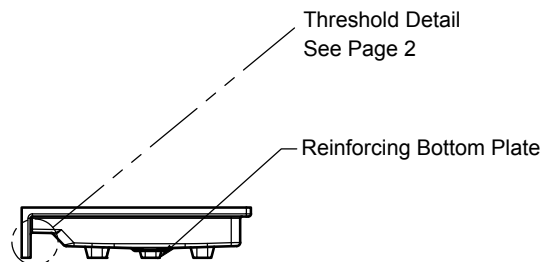
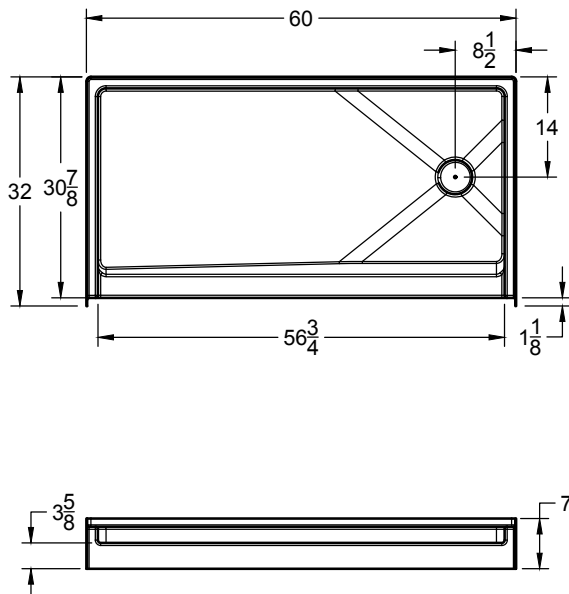
CSA B45.5-11 / IAPMO  
 Z124-2017

ICC A117.1 - 2017  
 ANSI Type B



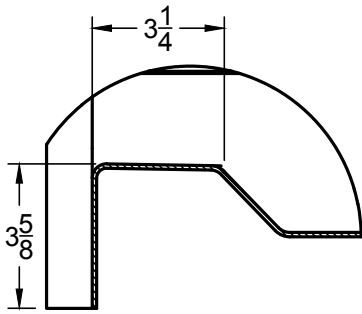
## Warranty

30 Year Limited



Due to the nature of the material, all measurements may vary by  $\pm 3/8"$ .  
 Dimensions needed for site preparation should be measured from the unit.

## Detailed Views



Threshold

## Architectural Specifications

A. Shower Stall:

1. Model: No. SP6032B-L/R
2. Description: Single-piece shower base with reinforcing bottom plate
3. Exterior dimensions: 60 inches wide x 32 inches deep x 7 inches high
4. Rough-in: +1/8" -0" nominal dimensions
5. Optional Accessories: Furnish with [EverFab tub-wrap], [shower drain].
6. Accessory Finish: [Standard Satin Stainless], [Matte Black], [Polished Stainless] [White], [Custom]

## Drain Placement (indicated by '-L' or '-R' following model number)\*

Left Hand

Right Hand

*\*Drain placement is determined as if outside the unit looking in. For clarity, a right hand model is shown in all drawings.*

## Optional Accessories†

EverFab Tub-Wrap

Shower Drain

## Accessory Finish

Satin Stainless (Standard)

Matte Black

Polished Stainless

White

Custom, please specify:

*†If applicable, please select accessory style and finish from options above. If custom, please also indicate desired location(s) on drawing.*